



5812NT SERIES ACOUSTIC GLASSBREAK SENSOR

ShatterPro™ 3

Model numbers:

5812NT, R5812NT, 5815NT, R5815NT

- **250 percent better false alarm immunity**
- **Adjustable to room size**
- **All-new, easy-access design**
- **Designed for quiet occupied areas on the perimeter loop**
- **Consistent detection, even of soft, quiet glass-breaks**
- **Detects through blinds and light drapes**
- **End-user can test sensor operation with a clap of the hands**
- **Alarm Memory**

The Sentrol 5812NT Series ShatterPro™ 3 is the latest breakthrough in Sentrol's advanced series of acoustic glassbreak sensors. In lab tests, ShatterPro 3 provides 250 percent better false-alarm immunity than the popular ShatterPro II. The coverage pattern can be easily adjusted to fit small or large rooms. Interference outside the range will not cause false alarms.

The ShatterPro 3 detects in a full 360°-coverage pattern, with a maximum 25' (7.5m) radius from sensor to glass.

Using Sentrol's patented Pattern Recognition Technology, the sensor listens for actual patterns of breaking glass while eliminating most false alarm patterns. ShatterPro 3 listens across the glassbreak frequency spectrum for greater false alarm immunity.

Available with a round or rectangular housing, ShatterPro 3 can be tested without opening the sensor by activating the Sentrol hand-held glassbreak tester at close range. A simple handclap feature lets end-users confirm at any time that the ShatterPro 3 is operational.

Sentrol 5812NT Series ShatterPro™ 3

Specifications:

Electrical

Input voltage 9 to 16VDC
 Current:
 Typical 15mA
 Maximum 25mA
 Electrical configuration Form A, Form C
 Field wiring size 18 AWG
 Relay rating 16V, 50mA max.
 Detection range 3'-25' (0.9 m-7.6 m) x 360°
 Alarm response 4 sec.

Features

Minimum glass size 12" x 24" (30.5 cm x 61 cm)
 Recommended glass thickness:
 Plate 3/32"-1/4" (2.4 mm-6.4 mm)
 Tempered 1/8"-1/4" (3.2 mm-6.4 mm)
 Wired 1/4" (6.4 mm)
 Laminated 1/8"-1/4" (3.2 mm-6.4 mm)

Environmental

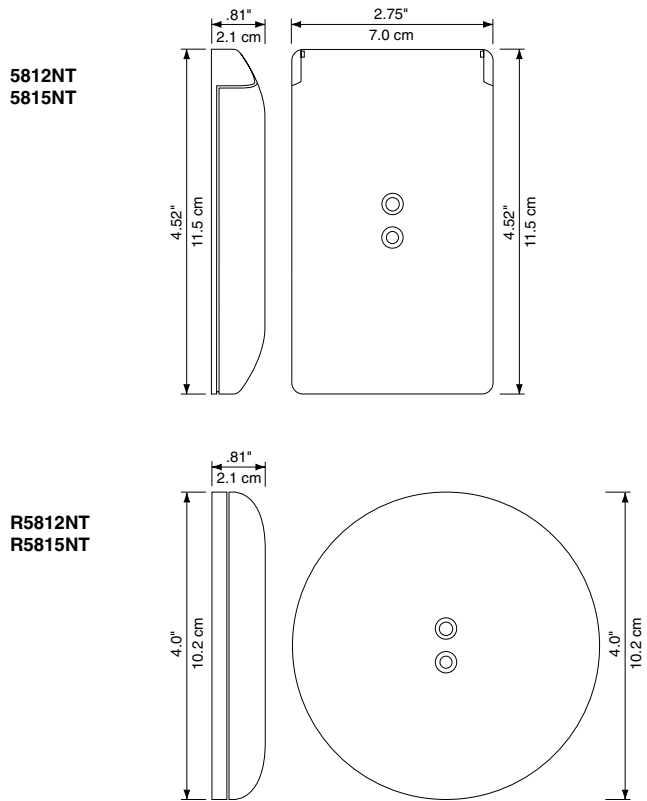
Operating temperature 32°-122°F (0°-50°C)
 Relative humidity 10-90% non-condensing

Dimensions

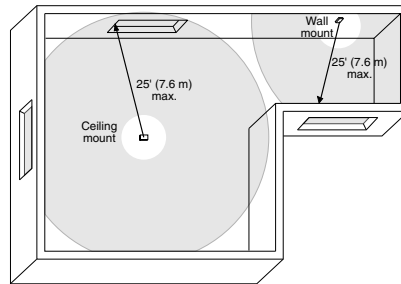
Round housing
 Depth 0.81" (2.1 cm)
 Diameter 4.0" (10.2 cm)
 Rectangle housing
 Depth 0.81" (2.1 cm)
 Width 2.75" (7.0 cm)
 Height 4.52" (11.5 cm)
 Color white

Listings UL 639 pending

Dimensions



Mounting Location



Ordering Information

Model Number	Description	Color
5812NT	ShatterPro 3 with rectangular housing, Form A	White
R5812NT	ShatterPro 3 with round housing, Form A	White
5815NT	ShatterPro 3 with rectangular housing, Form C, tamper switch	White
R5815NT	ShatterPro 3 with round housing, Form C, tamper switch	White
Accessories		
5709C	Glassbreak hand-held tester	White



CORPORATE HEADQUARTERS

12345 SW Leveton Dr., Tualatin, OR 97062
 Tel.: 503.692.4052 Fax: 503.691.7566
<http://www.sentrol.com>

U.S. & Canada: 800.547.2556
Technical Service: 800.648.7424
FaxBack: 800.483.2495

Sentrol reserves the right to change specifications without notice.

©2000 Sentrol