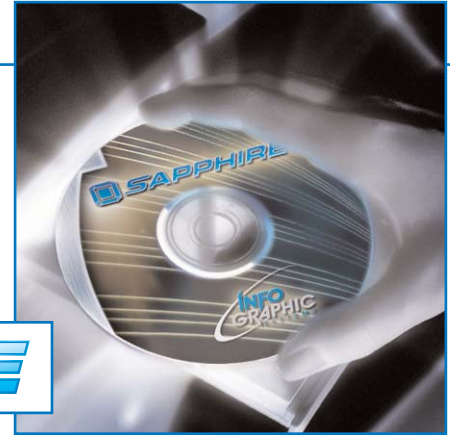


High-end access control standards for small to medium facilities



InfoGraphics' SAPPHIRE system provides a fully integrated solution for access control, security, alarm monitoring and photo ID badging applications. SAPPHIRE is ideally suited for small to medium sized facilities and delivers unsurpassed simplicity and convenience with such original tools as Auto Configuration, Data Guard and Instant Access. SAPPHIRE's unique browser-based platform and interactive color graphics features redefine the industry standards for operational simplicity. The new SAPPHIRE system offers the legendary reliability, functionality and connectivity expected from InfoGraphics' 20+ years of access control systems experience.

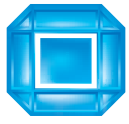
SAPPHIRE offers an extensive range of tools to customize the system to meet the requirements of the user. Incorporated in the software are predefined operator types, time schedules and access groups that are suitable for use by the majority of system users. These features combined with bulk card loading and Auto Configuration ensures that the system is fully operational with a minimum of time and effort.

SAPPHIRE has the capability to run four fully functional workstations in addition to the server. Each can support report and event printing locally and can be used as an enrollment or assessment station for the integrated video badging system.

Features and Benefits

- **Internet Browser Interface**
SAPPHIRE uses an innovative browser-based platform to empower the user with a distinctive yet familiar operating environment and command structure and provides access to the system from any Internet or VPN connection. In addition to the extensive range of tools available to customize SAPPHIRE to the requirements of small and medium sized users, SAPPHIRE incorporates several predefined operator types, time schedules and even access groups which are suitable for use by the majority of system users. These facilities combined with the bulk card loading capability, and the unique Auto Configuration facility, ensures that the system is fully operational with the absolute minimum of time and effort on the part of the user.
- **Data Guard**
Eliminate database corruption in field panels due to communication failures during downloads, especially over dial-up modems. In many cases a severed connection can leave a field panel unable to grant access or annunciate alarms. Data Guard retains the last complete panel database as a default until the update has been confirmed, ensuring the integrity of the database in the field panel.
- **Report Generation**
Report generation could not be easier. Dozens of pre-configured reports are provided, arranged by cardholders, operators, individual device types (i.e. workstations, field panels, readers, alarms, relays) system events, alarm events, alarm history, operator actions. In addition, the system is equipped with a point-and-click customizable employee report generator tool with multi-level filtering.





- Integrated Video Badging**

Create badges easily utilizing SAPPHIRE's fully integrated video badging and photo ID system. The video badging and imaging features include a full badge design and drawing package with multi-layer design tools. The full editing package includes copy, paste, automatic centering and full drag and drop capabilities. The sophisticated photo capture tool provides vertical and horizontal photo centering controls, brightness, contrast, color, intensity and hue controls for the photo image. In addition, it features a multi-frame capture, which allows the subject to choose the best likeness from several photos. Camera settings can be stored for prevailing ambient light levels. Photos may be obtained remotely from video cameras and digital still cameras and imported in .jpg format. Other file types (such as .bmp or .wmf) may be used through inexpensive third-party graphic software (such as Paint Shop Pro).

- CCTV Camera and PTZ Control**

Complete CCTV camera and PTZ control and display allows operators to view an entire area. These features are available directly from the dynamic color graphics screen.

- Upgradable**

SAPPHIRE is compatible with all field hardware currently produced by InfoGraphics. It is also upgradeable to much larger and more sophisticated functionality without the need to re-configure or re-enter any data into the system. SAPPHIRE systems are available in configurations that range from 16 up to 128 readers. For further expansion to more reader, alarm and relay capacity, it is simple to upgrade to any level of InfoGraphics' powerful SAPPHIRE Pro or DIAMOND II systems.

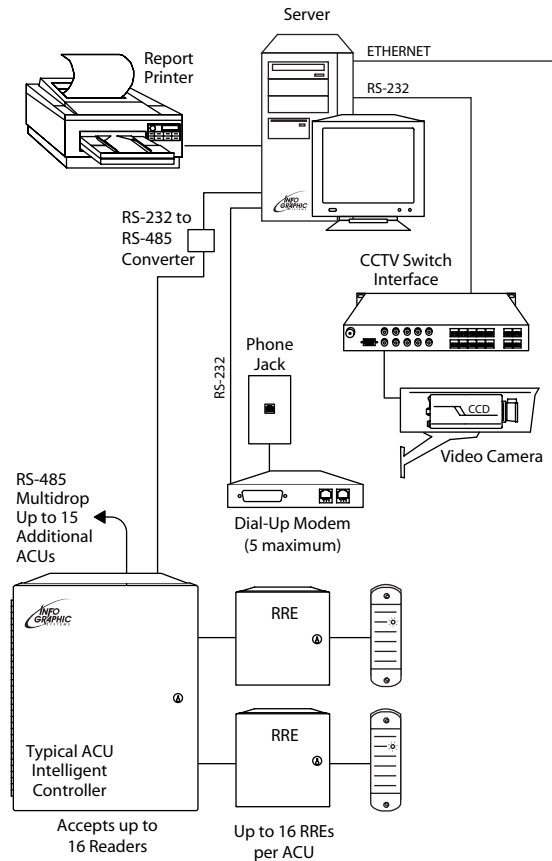
- Ease of Use**

SAPPHIRE is designed with ease of use in mind by incorporating extensive help text and flyover prompts throughout the system. A detailed and easy-to-follow users manual is also included with each system.

- Auto Configuration**

This unique tool foolproofs system programming and expansion by automatically detecting and configuring field hardware, readers, alarm points, and most other hardware connected to the server.

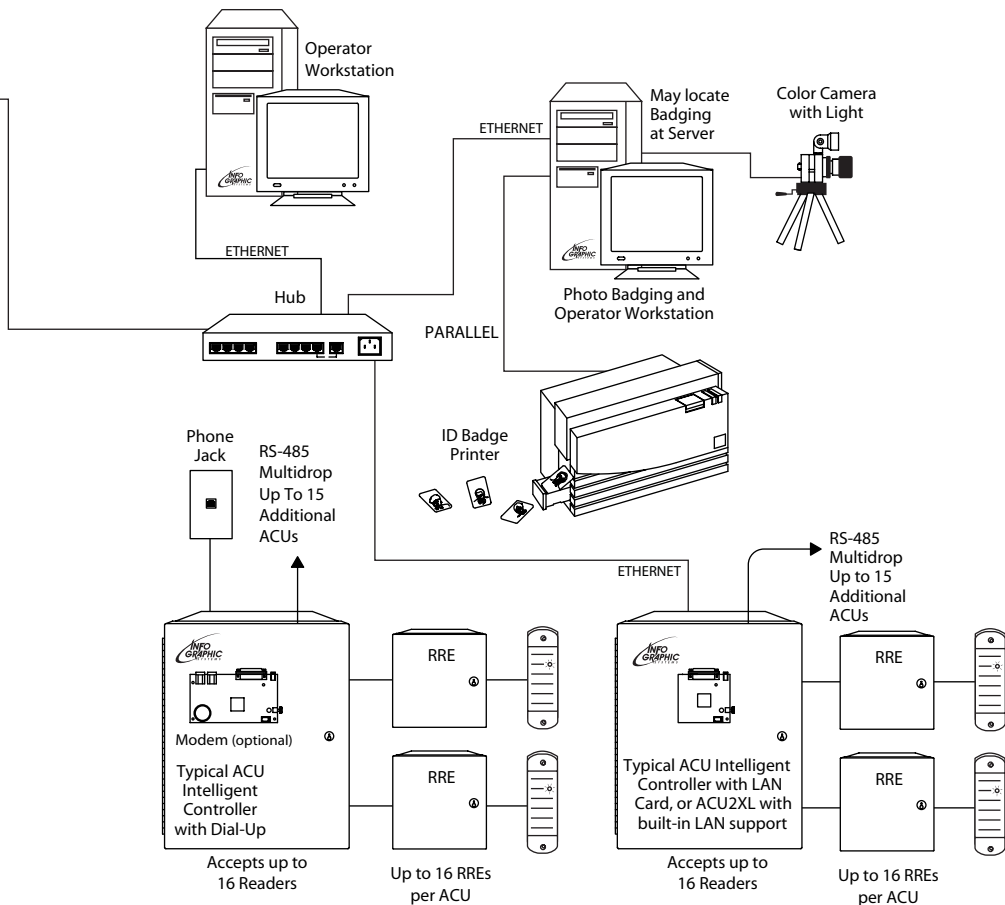
SAPPHIRE contains a unique tool that interrogates all of the field devices attached to it. Once the field equipment is installed, the user simply plugs the dial-up modems, LAN cards, or RS-232 field panel wiring into the communication ports on the server. With a click of the mouse the user can then initiate the Auto Configure program, which goes out and detects all of the field panels, readers/keypads, reader interfaces, alarm points, and request-to-exit devices connected to the SAPPHIRE system. Simply enter the phone





number or TCP/IP address and it will detect all of the workstations, field panels and readers that are connected over the LAN, WAN or dial-up modem. The system also detects all hard-wired field panels. Once the system detects all of the field hardware, SAPPHIRE then configures it automatically into its database in a fully configured, ready to run access control system. SAPPHIRE even prompts you to batch add cards, activating them instantly with a mouse click, resulting in a fully operational system.

- Interactive Dynamic Color Graphics**
 Operators have full system control through the use of dynamic alarm, reader and relay icons displayed on graphic maps. The dynamic color graphics features fully scalable alarm presentation with automatic zoom.
- Instant Access**
 Eliminate waiting for the download of database information to field panels with SAPPHIRE's Instant Access tool. SAPPHIRE automatically uses this feature when it is necessary to download data to field panels over a dial-up modem, LAN or extended RS-485 communication links. The Instant Access feature ensures the full functionality of the current database is available at any field panel location and provides for grants from the server.





Specifications

The following listings are of maximum amounts.

Readers	128
Cardholders	4,000
Alarm Points	4,096
Remote Controls	4,096
Security Areas	1,000
Field Panels	128
Serial Ports	64
Instruction Messages	512
Time Schedules	255
Holidays	32
Operator Passwords	512
Log File Size	40 MB
Workstations	4
Access Groups	1,000
Access Groups per Card	8
Security Areas per Card	8
Interactive	
color graphic maps	Yes
Elevator Control	Yes
Dial-Up	Yes
Video Badging	Yes
CCTV Switching	Yes

PC Requirements

- Pentium III PC hardware
- Processor speed: 500 MHz minimum
- Windows NT or Windows 2000 Pro Operating System
- Monitor size: 15" minimum, 17" recommended
- Monitor resolution: 1024 x 768 pixels x 65,535 colors
- RAM: 256 MB minimum
- Video memory: 4 MB
- Hard disk space: 20 GB
- CD ROM drive: Yes
- Sound card & speakers: Yes
- Floppy disk: Required for workstation setup
- Video capture card: Optional
- External modem: Optional
- Serial RS-232 ports: 1 minimum
- Parallel ports: 1 minimum
- Ethernet card: 10/100 Base T, or on-board Ethernet port configured for TCP/IP

AV136445 rev 042302

Ordering Information

Software-Only Packages

SAPPH-Ultra-SW	Software: 16 Readers, 2,048 Alarm Points and 4,000 Cards
SAPPH-Lite-SW	Software: 32 Readers, 2,048 Alarm Points and 4,000 Cards
SAPPH-64-SW	Software: 64 Readers, 4,096 Alarm Points and 4,000 Cards
SAPPH-128-SW	Software: 128 Readers, 4,096 Alarm Points and 4,000 Cards
SAPPH-WKSTN-SW	Workstation Software Standard
FAC-CONFIG	Factory Loading & Configuration of Software on User-Supplied Computer

Configured Solutions - including PC and Software

SAPPH-Ultra	Configured Standard Server PC including SAPPH-Ultra-SW
SAPPH-Lite	Configured Standard Server PC including SAPPH-Lite-SW
SAPPH-64	Configured Standard Server PC including SAPPH-64-SW
SAPPH-128	Configured Standard Server PC including SAPPH-128-SW
SAPPH-WKSTN	Configured Workstation PC including SAPPH-WKSTN-SW

Software and Hardware Upgrades

SAPPH-LITE-SWUP	SAPPHIRE Ultra to SAPPHIRE Lite File Server Software Upgrade
SAPPH-64-SWUP	SAPPHIRE Lite to SAPPHIRE 64 File Server Software Upgrade
SAPPH-128-SWUP	SAPPHIRE 64 to SAPPHIRE 128 File Server Software Upgrade
SAP-UPTRAPRO-UPG	SAPPHIRE Ultra to SAPPHIRE Pro-16 Software Upgrade
SAPPRO-UPG	SAPPHIRE Lite, 64 or 128 to equivalent SAPPHIRE Pro Software Upgrade

Accessories

PC-PROX	PC Log-on Prox Reader for Secure Network Access
PC-PROX-SW	Enterprise Management Software Program, 50 Seats
BSP-1	Penware signature Capture Pad and Pen.

InfoGraphic Systems is an American Manufacturer serving the world since 1959.

7373 Lincoln Way • Garden Grove, CA 92841 • phone: 714-890-0083 • fax: 714-890-0093
www.infographicsystems.com

