

TRAC-Cabinet

Specification Sheet

Description

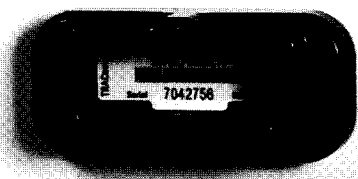
TRAC-Cabinet is an electronic access control device that permits authorized entry into cabinets, drawers or other locking enclosures when used with a TRACkey. TRAC-Cabinet is simple to install on virtually any cabinet with no requirement for external wiring to power or communication networks. This electronic interface can be attached to mechanically keyed cabinet locks and thumb-turn locks. The TRAC-Cabinet is intended for indoor and outdoor applications.

Construction: Designed to ensure security and reliability for industrial environments, TRAC-Cabinet is comprised of stainless steel and nickel plated non-ferrous materials for ultimate corrosion resistance.

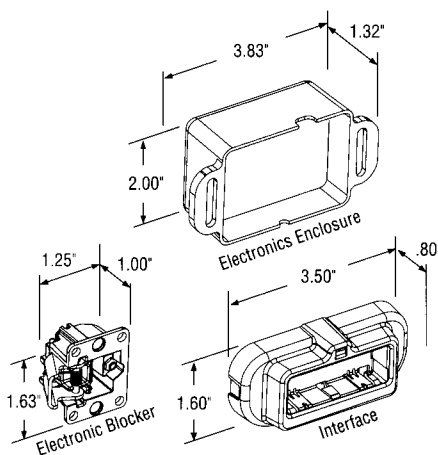
Operation: An authorized user places their TRACkey into the TRAC-Cabinet interface on the front of a cabinet. Once the TRAC-Cabinet has granted permission, a single LED signals the user that the mechanical key or knob of the cabinet's lock can be turned. The cabinet lock is reset after the user returns the lock to the closed position.

Dimensions: TRAC-Cabinet is comprised of three components as illustrated at left. Components include an external interface, an in-cabinet electronic blocker and an enclosure for the electronics.

Mounting Options: TRAC-Cabinet can be oriented vertically or horizontally to permit a wide range of locking options. The TRAC-Cabinet can be attached to wood, steel and aluminum drawers, doors and cabinets. The electronics can be located up to 8" from the lock, permitting a variety of installation options.



TRAC-Cabinet



Electrical Characteristics

ITEM	DESCRIPTION
Power Requirements	Operates solely from power supplied by the TRACkey. TRAC-Cabinet requires no internal batteries or line voltage.
Control of Lock Release Mechanism	The release mechanism is controlled by a microprocessor. There are no external mechanisms that allow release to be activated without valid TRACkey authorization.
Tampering	The electronics are protected from the physical environment and resistant to improper handling or tampering.

Environmental Specifications

TEST	DESCRIPTION
Temperature Range	40°C (-40°F) to 85°C (185°F)
Humidity	MIL-STD 202F, Method 106D at 95% relative humidity
Temperature/Humidity	MIL-STD 202F, Method 106E at 80% to 95% relative humidity
Electrostatic Discharge	EC 801-2, Severity Level 3
Water Resistance	UL 1037, section 64 for a one-hour rain test
Dust/Sand	SAE J211, 4.5.3 exterior vehicle dust conditions
Corrosion	MIL-STD 28800D for 48-hour salt fog spray
Chemical Resistance	Resists damage caused by common cleaners and de-icers

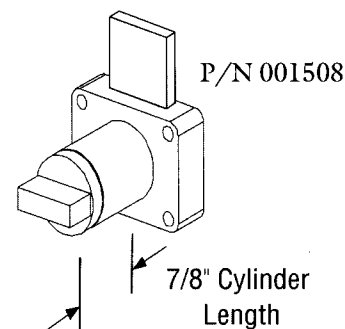
Options

Thumb-turn Cabinet Lock

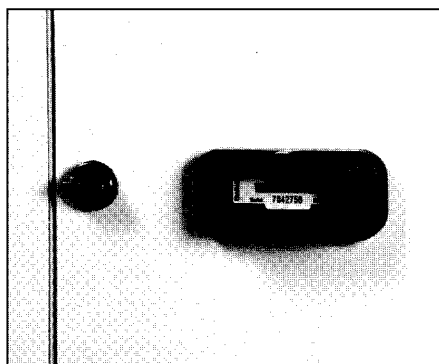
ANSI standard configuration E07121/E07122/E07123, Cabinet Lock, Grade 3, Chrome Plated

Paint Colors

Exterior interface is available in Hunter Green (P/N 001485) and Silver (P/N 001489).



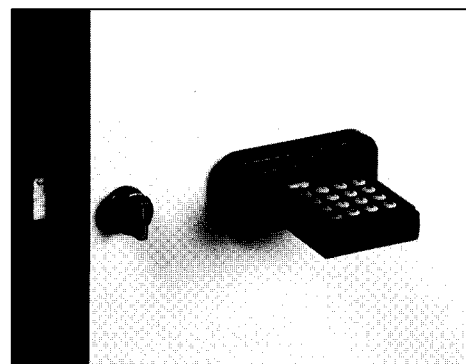
Product Usage



Trac-Cabinet mounted to cabinet door.



User inputs PIN into TRACkey.



When LED flashes, lock will be actuated and user is able to open door.



World Headquarters: P.O. Box 3167 • Salem, Oregon USA 97302
(800) 547-0252 • FAX (800) 382-6119 • www.supra-products.com

In Canada: Box 9088 • Ottawa, Ontario K1G 3T8
(800) 267-6317 • (613) 737-3623 • FAX (613) 737-5517