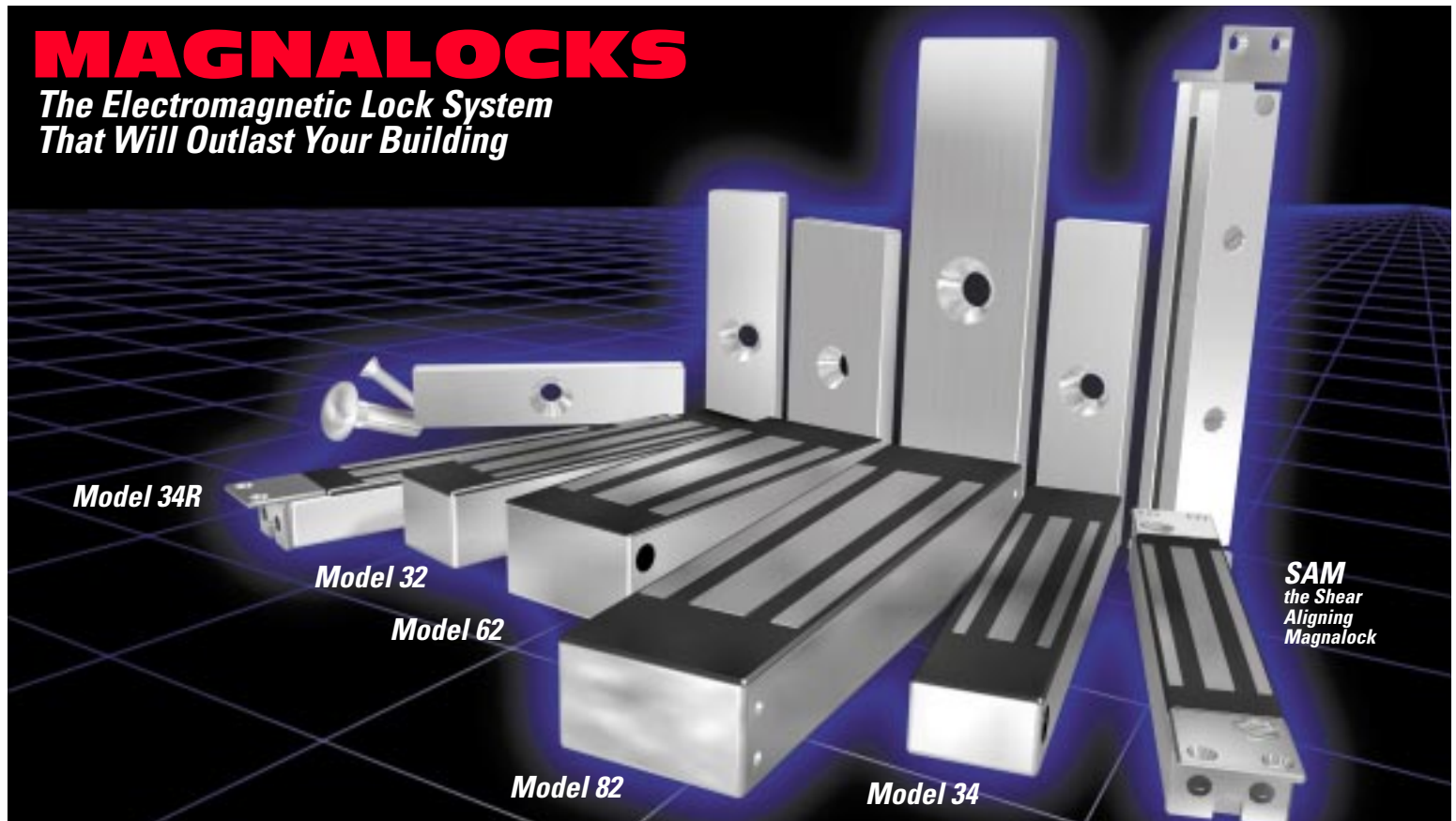


# MAGNALOCKS

*The Electromagnetic Lock System That Will Outlast Your Building*



Model 34R

Model 32

Model 62

Model 82

Model 34

SAM  
the Shear  
Aligning  
Magnalock

## MAGNALOCK® OVERVIEW

Magnalocks are designed to secure **any type of door or gate** that closes against a fixed stop. The product consists of an electromagnet which mounts on the fixed frame and a strike plate which mounts on the moving door or gate. The strike plate is delivered with fasteners that permit it to flex so that when the door closes, it automatically self aligns with the magnet. Magnetic force then takes over, strongly securing the door. Release is achieved by switching off power to the magnet.

## CHOOSE THE INDUSTRY LEADER

Securitron has been making electromagnetic locks since 1971 and has stayed at the forefront thanks to a continuing program of engineering improvements. In security industry trade journals, both installing dealers as well as end users have consistently chosen the Magnalock® as **the most highly preferred product**.

We attribute this not only to the product's features but to its **proven performance** in demanding applications.

## SELECT FROM A COMPLETE FAMILY

The Model 32 and 34 series provide 600 pounds "traffic control" security similar to electric strikes, and are recommended for applications where a physical assault on the door is not expected. Primary advantages of the Model 32 and 34 are **lower cost and more compact size**.

For **sliding doors**, the **Model 34R** series offers **recessed mounting** and results in 600 pounds of esthetically concealed holding power. The **Model 62** series offers **higher security with 1,200 pounds** holding force. Entry cannot be forced without special tools, or before the door or frame gives way. It's recommended not only for high security open-

ings, but for **outdoor use** on all gate types, too.

**At 1,800 pounds**, the **Model 82SC** series puts out **maximum MagPower!** Applications for the Model 82SC include prison facilities, or anywhere an **extra margin of strength** is required. Model 82SC is also effective on large exterior gates; or with a split strike plate on double doors.

The incredible **Shear Aligning Magnalock®**—SAM for short—permits concealed mounting in aluminum, wood and steel doors for **the ultimate in finished** appearance. SAM delivers 1,000 pounds holding force, maintains swing through operation on **double-acting doors**, and **even works on motorized bi-parting doors!**

## ELECTROMAGNETIC LOCKS

### HIGH TECHNOLOGY MEANS PERFORMANCE IN YOUR APPLICATION

Creating the world's best electromagnetic lock calls for serious engineering. During its years of continued development, the Magnalock® family has incorporated an array of advanced features (both physical and electronic) that have made it what it is today. Along the way, it has earned **two separate U.S. patents** and an impressive list of certifications.

### PHYSICAL CONSTRUCTION AND MOUNTING

A lock should be **tough**. The Magnalock® comes in a stainless steel case and all ferrous metal surfaces are plated to military specifications. A 10 ft. integral cable makes wiring easy and the Magnalock® **is at home indoors or out**. Mounting is via hardened machine screws into self-collapsing blind nuts (four screws with the Model 62 and 82SC; two with the Model 32 and 34). Mounting screw holes are closed off

with tamper caps. Sheet metal screws—which can work free—are not used at all. Even the strike sex bolt has a massive 1-1/4" diameter head.

While the standard mounting hardware resists "casual" vandalism and is considerably stronger than the holding force of the Magnalock®, Securitron can supply tamper proof hardware as an option for high vandalism areas. Securitron **tamper proof fasteners** require special tools for installation and removal. We can supply these tools for hand or battery drill operation.

Models 34R and SAM shear lock require mortising.

## ELECTRONIC PERFORMANCE

First, Magnalocks are remarkably efficient in power use. The 62 series operates on only **3 watts**. (250 mA at 12 VDC or 125 mA at 24VDC.) The 32 series uses **3-1/2 watts**. (300 mA at 12 VDC or 150 mA at 24 VDC.) The 34 series, 82 series and SAM draw only **4 watts**. This benefit is especially important when large numbers of Magnalocks are operated from a central power supply connected to the fire alarm system. Magnalock® efficiency generates large cost savings in wire gauge, power supply and battery backup costs.

Second, **internal electronics** eliminate problems often found in other designs. We reverse out residual magnetism and accelerate field collapse so that inductive kickback and EMI are suppressed so there's no arcing over control switches or interference with nearby electronic devices. Ferrous metal aging which could lead to stickiness over time is blocked. A U.S. patent has been granted on the Magnalock's internal electronics.

## THE BENEFITS OF SECURING DOORS WITH MAGNETIC FORCE ALONE

**Electromechanical strikes and locks** have been around longer, but magnetic locks are increasingly dominating the industry. Why? We see four answers: **Reliability, Security, Safety and Simplicity of Installation**.

**Reliability.** Anything mechanical wears out. The Magnalock® has

no moving parts and therefore possesses an unlimited operating life. Not many products perform for decades with no attention, but you can get this performance when you select the Magnalock®. In addition, the Magnalock® is unmatched in **functional reliability**. It **releases every time** when switched off, as there is nothing to jam. Because of its self-aligning strike, it **secures every time** the door closes. Problems of stiff latches and misaligned bolts simply don't exist.

**Security.** Electromechanical strikes and locks are positioned between the door and frame. They can be successfully attacked with a saw, or by spreading the door from the frame with a lever. The Magnalock® mounts on the **other side of the door from an intruder**. The intruder must defeat the door itself to get at the lock.

And in addition, the holding force of the Magnalock® can be selected—by choosing the appropriate model—to **exceed** the strength of the door. Mounting position of the Magnalock® at the top of the door enhances security by **allowing the door to flex** during an impact attack. Extremely stiff doors, like those found in prisons, can benefit from the **EASB Magnalock®** accessory which creates a shock absorbing effect (see Magnalock® options).

**Safety.** Magnalocks are often employed to secure doors that are also emergency exit paths. In the event of a fire, it is vital for life safety that the doors immediately release to permit evacuation. This is done by routing the lock DC power through auxiliary contacts operated by the building fire alarm system. When the fire alarm activates, power is removed from all the locks. As **there is nothing to jam**, the Magnalocks release every time.

**Installation Simplicity.** The Magnalock® surface mounts using only a drill and allen wrench. There is **no routing, mortising or carpentry work** needed. It also effortlessly handles all the unusual situations where electromechanical locks and strikes don't work:

Narrow stile doors, double doors, roll-up doors, solid glass doors, badly fitting doors, swinging or sliding gates of all types. Bring them on!

**"Smart" dual voltage.** All Magnalock® models except Model 32 automatically determine and adapt to 12 or 24 volt power by drawing the correct amount of current. There is no possibility of mis-wiring.

*Model 32SC mounted vertically on an aluminum frame glass door, — exterior view.*



*Model 32 mounted vertically on an aluminum frame glass door, — interior view.*



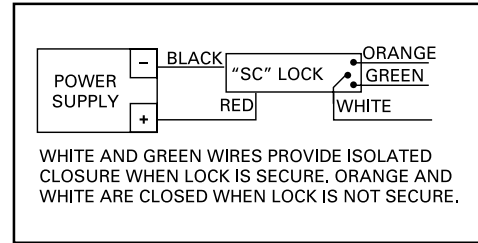
*Model 62 in a vertical mount on an aluminum frame glass door. Shown with TSB-3 Exit Bar and Model DK-26SS digital keypad.*



**MAGNALOCK® OPTIONS**

**SENSTAT: A LOCK THAT MONITORS ITSELF**

Securitron's **patented** Senstat option provides a lock status sensing signal which positively indicates that the door is secure. This interfaces with access control or alarm systems and is **superior to the commonly used door switch** which indicates that the door is closed but not that it is secure.



*Wiring diagram for Senstat Magnalocks.*



*Model 62G mounted on a concrete filled steel door frame using the CWB-62 bracket.*



*Magnalocks may be manufactured in a full-length housing to provide the ultimate in security and esthetics.*

**FULL LENGTH HOUSINGS**

Magnalocks can be optionally furnished in full-length housings to provide the ultimate in security and finished appearance. Housings may be selected in vertical or horizontal configurations with one or two locks. The addition of the second lock is either for enhanced security, or for a double door. The completed installation provides unmatched architectural appearance and vandal resistance



*Full-length housings provide the ultimate in security and esthetics. The unique mounting design allows the use of new or existing locks. Single and double versions are available.*



*The Z bracket on this inswinging door includes a dress cover for an architecturally attractive appearance. Model 62SCF shown.*



*The Official Factory Installation Kit makes any installation quicker and more accurate. It even includes an enlightening step-by-step system installation video!*

*HHSR-32-36, Horizontal Single Housing, Model 32, 36" long, right hand reverse.*



**MAGNALOCK® OPTIONS**

**FACE MOUNT VERSION INSWINGING DOOR MOUNT**



Magnalock® Model 32F Face Mounted version.

Standard Magnalocks are suspended from the door frame so that the door swings away from the magnet body. This is the preferred mounting method, but if the **door swings into the protected area**, security considerations may dictate that the lock is mounted on the inswinging side of the door. The "F" option **provides for face mounting** on the header above the door. Mounting holes are drilled through the magnet face and the wire exit is to the rear. The Z-32/34/62 and 82 bracket is normally used with "F" Magnalocks.

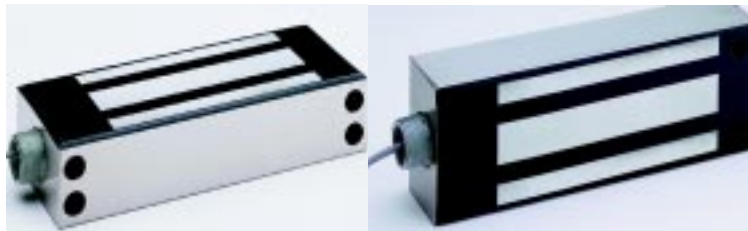


Magnalock® Model 82SCF Face Mounted version.

Magnalock® Model 82SCFG with Universal Conduit Fitting.

**CONDUIT FITTING OPTION**

The "G" option (available on the 62 and 82 series only) adds a 1/2" female-3/4" male universal conduit fitting to allow conduit wiring for **outdoor installations**. The "G" version is also useful for surface wired installations on concrete filled door frames. This avoids the cost of drilling a wire way in the concrete.



Magnalock® Model 62G with Universal Conduit Fitting.

Magnalock® Model 62FG Face Mounted version.

**RECESSED, CONCEALED MOUNTING**

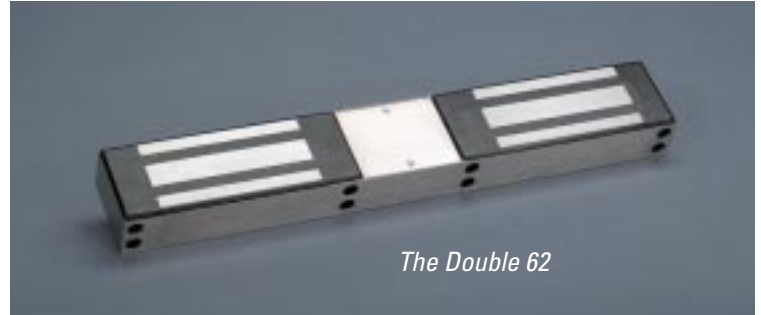
For many applications—like sliding doors—only a **totally invisible finished appearance** will do. Models 34R and SAM accomplish the job with **minimum installation hassle**.



The SlimLine Model 34R

**DOUBLE MAGNET CONFIGURATION**

For **double doors without a central mullion**, the DM-62 supplies two model 62 Magnalocks in a single brushed stainless steel housing for the **ultimate in architectural appeal**. The 22" wide housing provides adequate lock separation for internal obstructions often found in double doors, and electrically, the two locks are controlled as one. Securitron's Senstat lock status reporting option is also available on the DM-62.



The Double 62

**ENERGY ABSORBING HARDWARE OPTION**

The EASB is specifically designed for high security applications on stiff doors (such as prison doors) where the **door opens outwards** into the protected area. This permits an impact attack (as opposed to pulling the door). When the door is quite rigid, the force of the impact transmits well to the lock. The EASB replaces the standard sex bolt and includes a powerful internal spring which **absorbs and dissipates** the force of the blow, replicating Magnalock performance on a more flexible door and preserving optimum security.

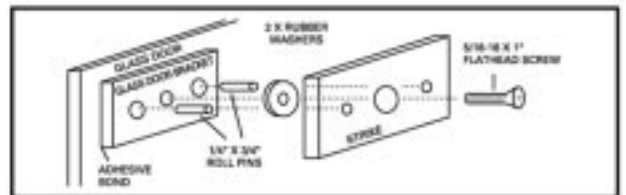
Energy Absorbing Sex Bolt (EASB) for Model 62 or 82SC Magnalock®.



**HARDWARE ACCESSORIES**



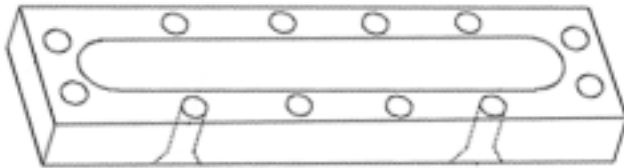
The **Stop Filler Plate** is used in installations where **only part of the magnet body is on the stop**. The plate extends the stop to provide a flat mounting surface for the magnet. Stop Filler Plates are 8" (Models 32 and 62) or 12" long (Model 82) with a varying thickness to match the stop thickness. Thicknesses offered are: 1/4", 3/8", 1/2" and 5/8" with a finish suffix of "CL" for clear anodized aluminum or "BK" for black anodized aluminum.



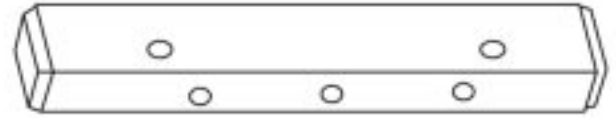
The **Glass Door Bracket** permits Magnalock installation on a **solid glass door**. The bracket is permanently glued to the glass via a special adhesive. The strike plate then screws into the bracket, as glass doors cannot be drilled. The part numbers are: GDB (bracket) and AKG (adhesive kit).



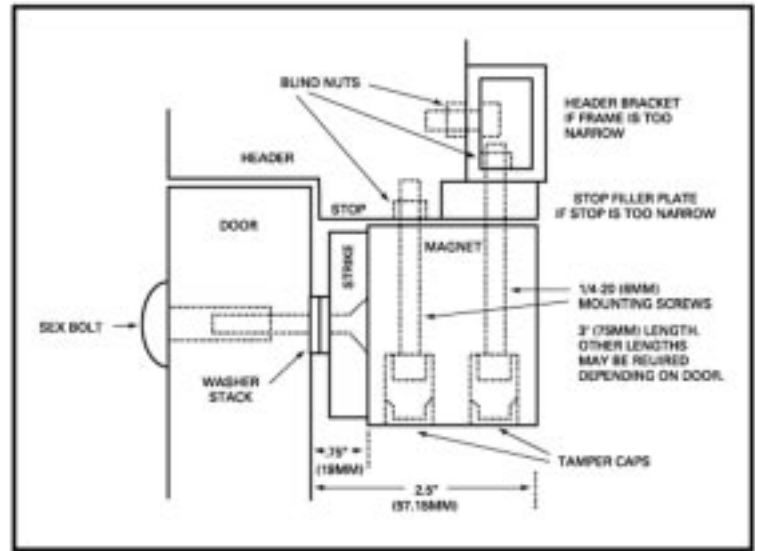
The **Aluminum Frame Shim Bracket** is for use with **aluminum frame glass doors**. The bracket spaces the magnet body down 1/2" to clear the blade stop and provides alternate mounting hardware for the strike plate as with the magnet body spaced down, the standard sex bolt can interfere with the glass. The part numbers are ASB-32/62/82 with a finish suffix, or "BK" for black anodized aluminum.



The **Concrete/Wood Frame Bracket** is used on concrete filled or wood door frames. On concrete frames, the bracket anchors to the frame via sheet metal screws and the magnet mounts to the bracket via machine screws. The bracket includes a central splice area and avoids the problem of drilling a wireway through the concrete. On wood frames, 4" wood screws are employed to penetrate deeply into the header. Separate part numbers are used for the Model 32, 62, and 82 series Magnalock CWB-32, CWB-62, CWB-82 with a finish suffix of "CL" for clear anodized aluminum or "BK" for black anodized aluminum.



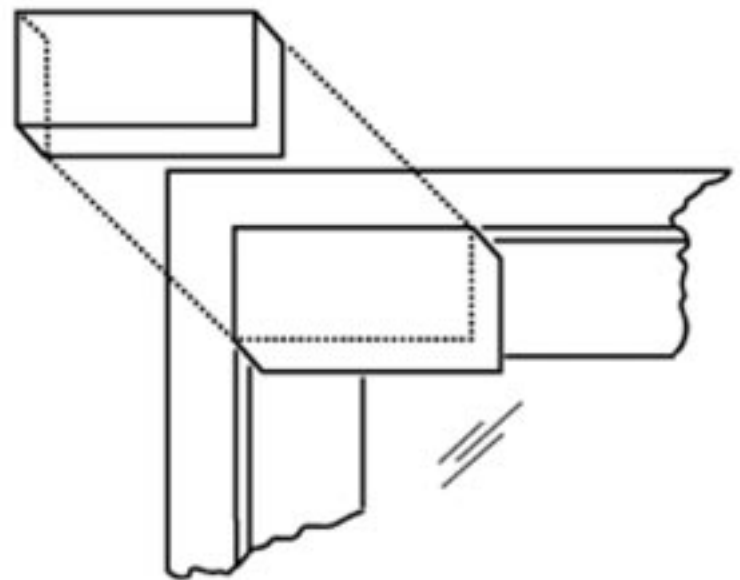
The **Universal Header Bracket** is used to **extend a narrow header** (often found on aluminum frame glass doors) to permit mounting of the Magnalock. The bracket is positioned either to extend 1" or 1-1/2" and also serves to conceal the hookup cable within its hollow interior. Model UHB works with Model 32, 34 or 62 series Magnalocks and the longer UHB-82 works with the Model 82. Both with a finish suffix of "CL" for clear anodized aluminum or "BK" for black anodized aluminum.



*Mounting on outswinging door showing optional use of Stop Filler Plate and Universal Header Bracket.*



*A wide array of Hardware Installation Accessories make putting a Magnalock anywhere easy! And don't forget World Famous 1-800-MAGLOCK support for instant installation help, advice and even custom wiring diagrams.*



**Dress Covers** are separately available for the Model 32, 34, 62 and 82 series Magnalock. They install in seconds using structural foam adhesive and perform three functions: The Cover improves the appear-

ance of the installation by concealing the strike and also improves tamper resistance. Finally, the Covers are available in **four finishes** allowing easy alteration of the Magnalock finish to suit architectural considerations.

The part numbers are:

**DC-32/34/62/82CL** (Clear anodized aluminum).

**DC-32/34/62/82BK** (Black anodized aluminum).

**DC-32/34/62/82BP** (Polished brass).

**DC-32/34/62/82SP** (Polished stainless).

**Double Dress Covers** are available in two finishes which will cover a pair of Magnalocks on a double door assuming they are separated by not more than two inches.

**DDC-32/34/62CL** (Clear anodized aluminum).

**DDC-32/62/34BK** (Black anodized aluminum).

**Offset Strikes** are available for the 62 & 82 series only. The offset strike alters by 1/4" the position of the mounting hole which is occasionally necessary for certain narrow aluminum glass doors to avoid the sex bolt hitting the glass. **Split strikes** allow a single 62 or 82 series Magnalock to secure a double door at traffic control holding force level.

The following locks are available with Offset Strikes by adding "-OS" to the end of the part number: M62-OS; M62G-OS; M62SC-OS; M62SCG-OS; M82SC-OS; M82SCG-OS

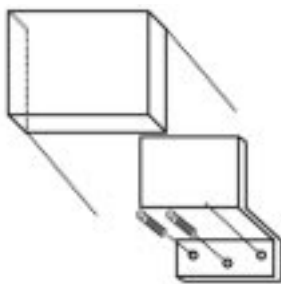
The following locks are available with Split Strikes by adding "-SS" to the end of the part number: M62-SS; M62G-SS; M62SC-SS; M62SCG-SS; M82SC-SS; M82SCG-SS

The part numbers are:

**AOS-62** (Offset strike w/fasteners).

No upcharge when ordered with the Magnalock.

**ASS-62; ASS-82** (Split strike set w/fasteners). Upcharge applies when ordered with the Magnalock.



**Z Brackets** are separately available for the 32, 62 and 82 series "F" version Magnalock and allow mounting on an inswinging door. The Bracket includes a cover which gives the installation an attractive finished appearance. The assembly is available in three finishes. The part numbers are:

**Z-32/34/62/82SS** (Brushed stainless steel cover).

**Z-32/34/62/82CL** (Clear anodized aluminum).

**Z-32/34/62/82BK** (Black anodized aluminum).

The surface mounted Magnalock family requires only a drill and allen wrenches for mounting. All **fasteners** are of the socket cap type for greatest strength and professional results. **Tamper proof** fasteners are available as an option (consult the factory).



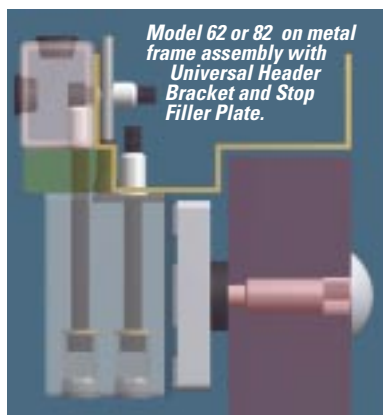
Model 62 Magnalock® is shown in horizontal mount with an anodized Dress Cover and Universal Header Bracket on an aluminum frame glass door.



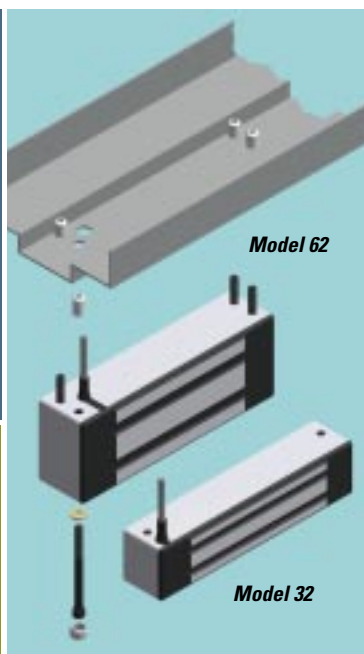
Weatherproof Magnalock® Strike Plates are constructed of premium materials.



Magnalocks come with a complete fastener set which includes flush finish tamper caps (A) and a tool (B) for collapsing the blind nuts (C).



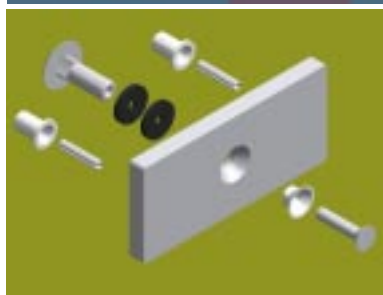
Model 62 or 82 on metal frame assembly with Universal Header Bracket and Stop Filler Plate.



Model 62

Model 32

Model 62 and Model 32 Magnalocks with mounting fastener assembly.



Magnalock armature, mounting hardware and fastener assembly.

## TECHNICAL DATA

### Holding Force

82SC series: 1,800 lbs.- 818 Kg.  
 62 series: 1,200 lbs.- 545 Kg.  
 34 series: 600 lbs.- 273 Kg.  
 32 series: 600 lbs.- 273Kg.

### Operating Environment

-40 to 60 C, -40 to 140 F. Suitable for outdoor use (NEMA 4X equivalent). All ferrous metal surfaces plated to MIL spec. Magnet case: brushed stainless steel standard.

### Power Required

82SC series: 350 mA at 12 VDC or 175 mA at 24 VDC  
 62 series: 250 mA at 12 VDC or 125 mA at 24 VDC  
 34 series: 350 mA at 12 VDC or 175 mA at 24 VDC  
 32 series: 300 mA at 12 VDC or 150 mA at 24 VDC  
 Voltage tolerance: -10% +30%, unregulated acceptable.

### Dimensions

Model 82SC Magnet: 12" x 3" x 1-3/4"	305 x 76 x 44.5mm
Strike: 10" x 2-3/4" x 1/2"	254 x 70 x 12mm
Model 62 Magnet: 8" x 3" x 1-3/4"	203 x 76 x 44.5mm
Strike: 6" x 2-3/4" x 1/2"	152 x 70 x 12mm
Model 34 Magnet: 9-3/4" x 1-3/4" x 1-1/8"	241 x 38 x 28.5mm
Model 34R Magnet: 9-1/2" x 1-1/2" x 1-1/8"	241 x 38 x 28.5mm
Strike: 6-3/8" x 1-7/16" x 7/16"	162 x 36.5 x 11mm
Model 32 Magnet: 8" x 1-3/4" x 1-1/2"	203 x 44.5 x 38mm
Strike: 6-1/2" x 1-5/8" x 1/2"	165 x 41.5 x 12mm

### Approvals and Listings

Underwriter's Laboratories: SA6635 and BP7041 and R13976  
 Underwriter's Laboratories of Canada: CMS140, SA6635 and BP7041  
 TÜV (Germany): 951063246890009 Baumuster Gopruft  
 California State Fire Marshall: 4138-923:101  
 City of New York MEA: 25195E & 254-95E BHMA certified  
 NYC Board of Standards and Appeals; 801-80-SA  
 City of Cleveland: S-5-89  
 US Veteran's Administration: M.P.3 Part III  
 US Defense Department: Listed

### Patents

U.S. patents granted on Senstat feature and internal electronics  
 #4,516,114 & #4,682,801  
 EASB patent no. 5,758,913

## ORDERING INFORMATION

82SC, 62, 34 (Dual Voltage)  
 32-12 (12 Volts) or 32-24 (24 Volts)  
 Add "F" for face mount (Inswinging door). Add "SC" for Senstat Form C version (Model 82 comes standard). Add "G" for conduit fitting (not available with 32 and 34R).

## MAGNALOCKS

Part Number	Description	Price
M32-12	600 lb. 12VDC	\$300.00
M32-24	600 lb. 24VDC	\$300.00
M32F-12	600 lb. 12VDC Face Mount	\$300.00
M32F-24	600 lb. 24VDC Face Mount	\$300.00
M32SC-12	600 lb. 12VDC Senstat Form 'C'	\$360.00
M32SC-24	600 lb. 24VDC Senstat Form 'C'	\$360.00
M32SCF-12	600 lb. 12VDC Face Mount Senstat form 'C'	\$360.00
M32SCF-24	600 lb. 24VDC Face Mount Senstat form 'C'	\$360.00
M34	600 lb. Dual Voltage	\$300.00
M34F	600 lb. Dual Voltage Face Mount	\$300.00
M34R	600 lb. Recessed Dual Voltage	\$320.00
M34RSC	600 lb. Recessed Dual Voltage Senstat Form C	\$380.00
M34SC	600 lb. Dual Voltage Senstat	\$360.00
M34SCF	600 lb. Dual Voltage Face Mount Senstat	\$360.00
M62	1200 lb. Dual Voltage	\$380.00
M62F	1200 lb. Dual Voltage Face Mount	\$380.00
M62FG	1200 lb. Dual Voltage Face Mount Conduit Fitting	\$400.00
M62G	1200 lb. Dual Voltage Conduit Fitting	\$400.00
M62G-OS	1200 lb. Dual Voltage Conduit Fitting w/Offset Strike	\$400.00
M62G-SS	1200 lb. Dual Voltage Conduit Fitting w/Split Strike	\$500.00
M62-OS	1200 lb. Dual Voltage w/Offset Strike	\$380.00
M62SC	1200 lb. Dual Voltage Senstat	\$440.00
M62SCF	1200 lb. Dual Voltage Senstat Face Mount	\$440.00
M62SCFG	1200 lb. Dual Voltage Senstat Face Mount Conduit	\$460.00
M62SCG	1200 lb. Dual Voltage Senstat Conduit	\$460.00
M62SCG-OS	1200 lb. Dual Voltage Senstat Conduit/Offset Strike	\$460.00
M62SCG-SS	1200 lb. Dual Voltage Senstat Conduit/Split Strike	\$560.00
M62SC-OS	1200 lb. Dual Voltage Senstat w/Offset Strike	\$440.00
M62SC-SS	1200 lb. Dual Voltage Senstat w/Split Strike	\$540.00
M62-SS	1200 lb. Dual Voltage w/Split Strike	\$480.00
DM62	1200 lb. 62 Double, Dual Voltage	\$760.00
DM62SC	1200 lb. 62 Double, Dual Voltage Senstat Form C	\$880.00
M82SC	1800 lb. Dual Voltage Senstat	\$520.00
M82SCF	1800 lb. Dual Voltage Senstat Face Mount	\$520.00
M82SCFG	1800 lb. Dual Voltage Senstat Face Mount Conduit	\$540.00
M82SCG	1800 lb. Dual Voltage Senstat Conduit Fitting	\$540.00
M82SCG-OS	1800 lb. Dual Voltage Senstat Conduit/Offset Strike	\$540.00
M82SCG-SS	1800 lb. Dual Voltage Senstat Conduit/Split Strike	\$640.00

Part Number	Description	Price
M82SC-OS	1800 lb. Dual Voltage Senstat w/Offset Strike	\$520.00
M82SC-SS	1800 lb. Dual Voltage Senstat w/Split Strike	\$620.00
<b>HARDWARE ACCESSORIES</b>		
HHD-32	Full Length Housing Model 32 Dbl. Horizontal	\$550.00
HHD-62	Full Length Housing Model 62 Dbl. Horizontal	\$550.00
HHD-82	Full Length Housing Model 82 Dbl. Horizontal	\$550.00
HHSL-32	Full Length Housing Model 32 Single Lefthand Reverse	\$450.00
HHSL-62	Full Length Housing Model 62 Single Lefthand Reverse	\$450.00
HHSL-82	Full Length Housing Model 82 Single Lefthand Reverse	\$450.00
HHSR-32	Full Length Housing Model 32 Single Righthand Reverse	\$450.00
HHSR-62	Full Length Housing Model 62 Single Righthand Reverse	\$450.00
HHSR-82	Full Length Housing Model 82 Single Righthand Reverse	\$450.00
HVD-32	Full Length Housing Model 32 Dbl. Vertical	\$550.00
HVD-62	Full Length Housing Model 62 Dbl. Vertical	\$550.00
HVD-82	Full Length Housing Model 82 Dbl. Vertical	\$550.00
EASB-34	Sex Bolt Energy Absorbing Model 34	\$80.00
EASB-62	Sex Bolt Energy Absorbing Model 62	\$180.00
EASB-82	Sex Bolt Energy Absorbing Model 82	\$180.00
SFP-1/2BK	Stop Filler Plate 1/2" x 1-1/4" x 8" Black	\$15.00
SFP-1/2CL	Stop Filler Plate 1/2" x 1-1/4" x 8" Clear	\$15.00
SFP-1/4BK	Stop Filler Plate 1/4" x 1-1/4" x 8" Black	\$15.00
SFP-1/4CL	Stop Filler Plate 1/4" x 1-1/4" x 8" Clear	\$15.00
SFP-3/8BK	Stop Filler Plate 3/8" x 1-1/4" x 8" Black	\$15.00
SFP-3/8CL	Stop Filler Plate 3/8" x 1-1/4" x 8" Clear	\$15.00
SFP-5/8BK	Stop Filler Plate 5/8" x 1-1/4" x 8" Black	\$15.00
SFP-5/8CL	Stop Filler Plate 5/8" x 1-1/4" x 8" Clear	\$15.00
SFP82-1/2BK	Stop Filler Plate 1/2" x 1-1/4" x 12" Black	\$18.00
SFP82-1/2CL	Stop Filler Plate 1/2" x 1-1/4" x 12" Clear	\$18.00
SFP82-1/4BK	Stop Filler Plate 1/4" x 1-1/4" x 12" Black	\$18.00
SFP82-1/4CL	Stop Filler Plate 1/4" x 1-1/4" x 12" Clear	\$18.00
SFP82-3/8BK	Stop Filler Plate 3/8" x 1-1/4" x 12" Black	\$18.00
SFP82-3/8CL	Stop Filler Plate 3/8" x 1-1/4" x 12" Clear	\$18.00
SFP82-5/8BK	Stop Filler Plate 5/8" x 1-1/4" x 12" Black	\$18.00
SFP82-5/8CL	Stop Filler Plate 5/8" x 1-1/4" x 12" Clear	\$18.00
AKG	Adhesive Kit For Glass Hdwr.	\$140.00
GDB	Glass Door Bracket	\$50.00
HEB-3G	Header Ext. Bracket 3" x 3" x 8" Glass Door	\$60.00
ASB-32BK	Alum. Spacer Bracket Model 32 Black	\$25.00
ASB-32CL	Alum. Spacer Bracket Model 32 Clear	\$25.00
ASB-62BK	Alum. Spacer Bracket Model 62 Black	\$25.00
ASB-62CL	Alum. Spacer Bracket Model 62 Clear	\$25.00
ASB-82BK	Alum. Spacer Bracket Model 82 Black	\$40.00
ASB-82CL	Alum. Spacer Bracket Model 82 Clear	\$40.00
CWB-32BK	Concrete/Wood Bracket Model 32 Black 1/2"	\$45.00
CWB-32CL	Concrete/Wood Bracket Model 32 Clear 1/2"	\$45.00
CWB-62BK	Concrete/Wood Bracket Model 62 Black 1/2"	\$45.00
CWB-62CL	Concrete/Wood Bracket Model 62 Clear 1/2"	\$45.00
CWB-82BK	Concrete/Wood Bracket Model 82 Black 1/2"	\$48.00
CWB-82CL	Concrete/Wood Bracket Model 82 Clear 1/2"	\$48.00
DC-32BK	Dress Cover Black Anodized Model 32	\$22.00

Part Number	Description	Price
DC-32BP	Dress Cover Brass Polished Model 32	\$80.00
DC-32CL	Dress Cover Clear Anodized Model 32	\$22.00
DC-32SP	Dress Cover Stainless Polished Model 32	\$80.00
DC-62BK	Dress Cover Black Anodized Model 62	\$22.00
DC-62BP	Dress Cover Brass Polished Model 62	\$80.00
DC-62CL	Dress Cover Clear Anodized Model 62	\$22.00
DC-62SP	Dress Cover Stainless Polished Model 62	\$80.00
DC-82BK	Dress Cover Black Anodized Model 82	\$30.00
DC-82BP	Dress Cover Brass Polished Model 82	\$80.00
DC-82CL	Dress Cover Clear Anodized Model 82	\$30.00
DC-82SP	Dress Cover Stainless Polished Model 82	\$80.00
DDC-32BK	Dbl. Dress Cover Black Anodized Model 32	\$44.00
DDC-32CL	Dbl. Dress Cover Clear Anodized Model 32	\$44.00
DDC-62BK	Dbl. Dress Cover Black Anodized Model 62	\$44.00
DDC-62CL	Dbl. Dress Cover Clear Anodized Model 62	\$44.00
DDC-82BK	Dbl. Dress Cover Black Anodized Model 82	\$60.00
DDC-82CL	Dbl. Dress Cover Clear Anodized Model 82	\$60.00
HEB-3BK	Header Ext. Bracket 3" x 3" x 8" Black	\$45.00
HEB-3CL	Header Ext. Bracket 3" x 3" x 8" Clear	\$45.00
HEB82-3BK	Header Ext. Bracket 3" x 3" x 12" Black	\$48.00
HEB82-3CL	Header Ext. Bracket 3" x 3" x 12" Clear	\$48.00
UHB-82BK	Univ. Header Bracket Black Anodized Model 82	\$48.00
UHB-82CL	Univ. Header Bracket Clear Anodized Model 82	\$48.00
UHB-BK	Univ. Header Bracket Black Anodized 1"x1-1/2" x 10"	\$44.00
UHB-CL	Univ. Header Bracket Cl. Anodized 1"x1-1/2" x 10"	\$44.00
UMB-34CL	Univ. Bracket Model 34 Clear	\$30.00
Z-32BK	Z-Bracket Black Anodized Model 32	\$84.00
Z-32CL	Z-Bracket Clear Anodized Model 32	\$84.00
Z-32SS	Z-Bracket Stainless Steel Model 32	\$84.00
Z-34CL	Z-Bracket Clear Anodized Model 34	\$84.00
Z-34SS	Z-Bracket Stainless Steel Model 34	\$84.00
Z-34BK	Z-Bracket Black Anodized Model 34	\$84.00
Z-62BK	Z-Bracket Black Anodized Model 62	\$84.00
Z-62CL	Z-Bracket Clear Anodized Model 62	\$84.00
Z-62SS	Z-Bracket Stainless Steel Model 62	\$84.00
Z-82BK	Z-Bracket Black Anodized Model 82	\$90.00
Z-82CL	Z-Bracket Clear Anodized Model 82	\$90.00
Z-82SS	Z-Bracket Stainless Steel Model 82	\$90.00

