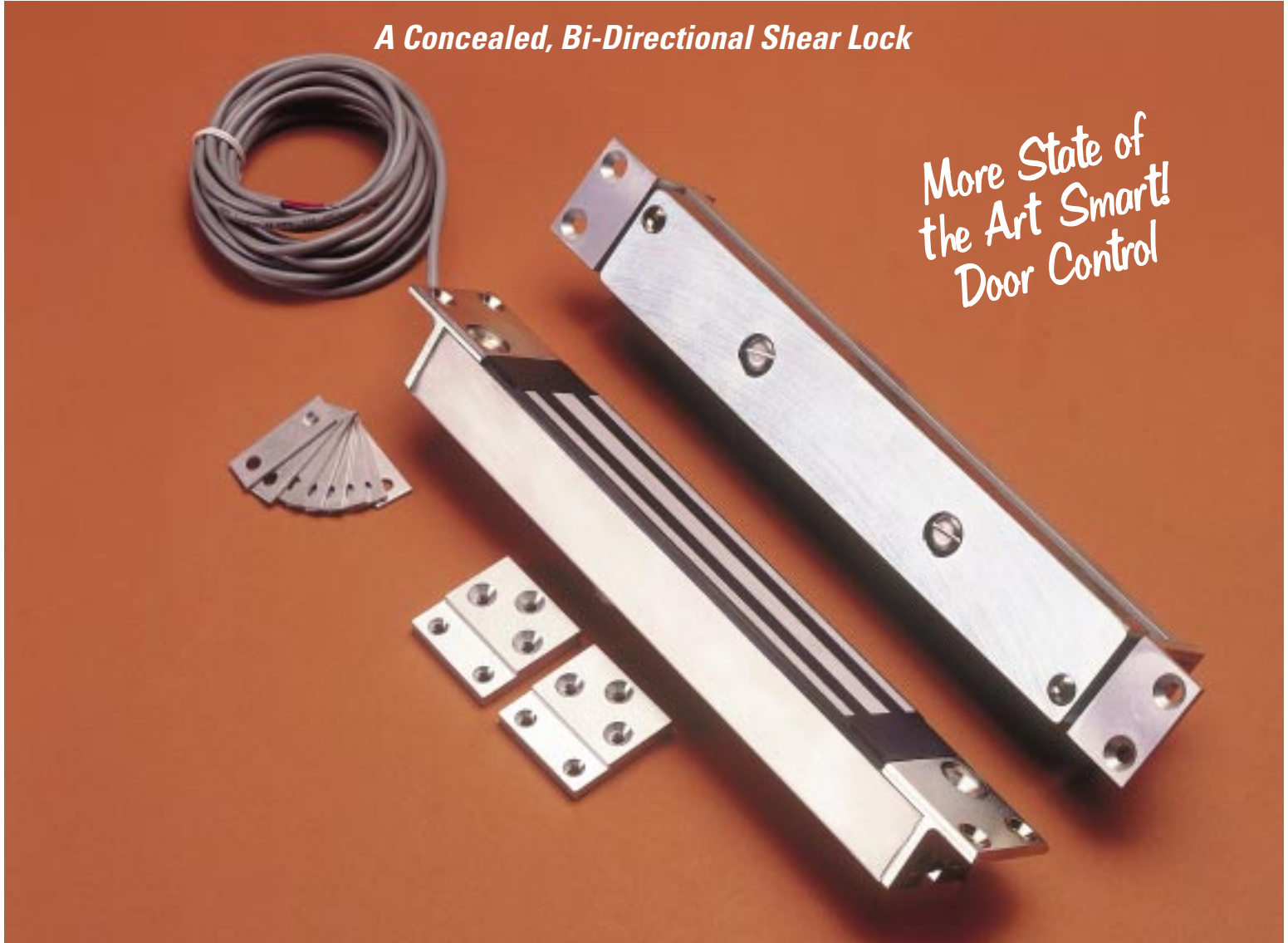


SAM THE SHEAR ALIGNING MAGNALOCK

A Concealed, Bi-Directional Shear Lock

*More State of
the Art Smart!
Door Control*



OVERVIEW

Securitron's revolutionary Shear Aligning Magnalock (SAM) permits **concealed mounting in aluminum, wood and steel doors** for the ultimate in finished appearance. Both the magnet and the strike plate assembly take up only 1-1/2" (38 mm) width in the door and the door frame which permits use on nearly all commercial doors. The SAM also maintains **swing through operation on double acting doors** and may even be employed on **motorized bi-parting doors** with a breakaway escape feature. The SAM holds a robust **1,000 pounds (455 Kg.)** and yet draws only **four watts** of power while operating on 12 or 24 volts DC (**dual voltage**). The SAM **self-aligns** into correct locking position as the door closes and therefore requires no door position sensing or auxiliary timing circuitry. Its patented physical design (**patent pending**) eliminates any risk of partial locking and releases instantly without binding. **Senstat lock status sensing**, with SPDT output is available as an option.

SELF-ALIGNING OPERATION

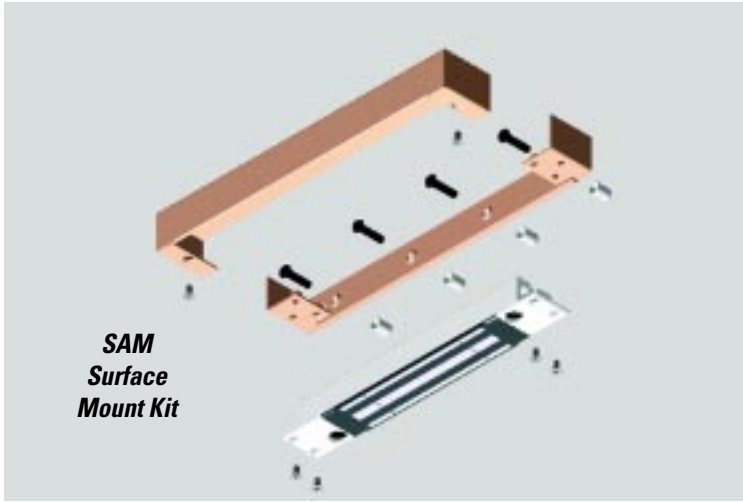
The SAM locks by seating two conical buttons located on opposite corners of the strike plate into matching holes on each end of the magnet body. The height and shape of these buttons **prevent the unit from engaging early** as the door closes. Once the door is closed, the buttons automatically drop into their matching holes to provide **secu-**

rity while maintaining unaltered appearance of the door and frame. When power is cut, the angled buttons "ramp" out of their holes for **immediate and total release** of the door. The hole diameters are oversized which forgives imprecise door alignment and accepts minor variations in installation position. A unique benefit of the SAM's physical design is that it can function if the door swings to close or slides to close: **it operates bi-directionally.** The SAM may also be **mounted at the top, side or bottom of the door** without the need to purchase additional bracketry or a different model.

UNIVERSAL MOUNTING IN EVERY DOOR

The SAM ships with a **full array of mounting brackets** which permit installation in **hollow steel, wood and aluminum doors** which either finish flush or have recesses of 5/8" (11.7mm) to 1-15/16" (3.33 mm). There's **nothing else to buy.** Installation requires preparing a rectangular cut-out and drilling holes for retrofit doors which have not been prepared in advance. The same universal model may be mounted on the top, side or bottom of the door.

For specialty applications, the **optional surface mount kit** (part #SMLS for SAM magnet, or #SMSS for SAM strike) permits magnet, strike, or both to be surface mounted when mortising isn't possible.

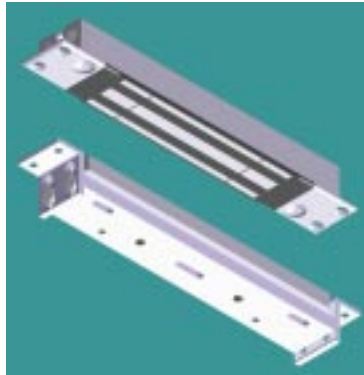


**SAM
Surface
Mount Kit**

TECHNICAL DATA

Holding Force: 1000 lbs. (455 Kg.) SAM and SAMSC.
Power Required: 350 mA at 12 VDC or 175 mA at 24VDC.
Dimensions: 9-1/2" length x 1-1/2" width x 1-1/8" depth
 (241.3 x 38.1 x 28.6 mm)
Strike Dimensions: 8-3/4" length x 1-7/16" width x 1/2" thickness
 (222.3 x 36.5 x 12.7 mm)
Strike Sub-Mounting: 9-5/8" length x 1-7/16" width x 1-1/8" depth
 (244.5 x 36.5 x 28.6 mm)
"SC" Senstat Output: SPDT, 1 Amp.
Operating Temperatures: -40° to 140°F, -40° to 60°C.
 Contact factory for complete architectural specification and templates.
Patents: U.S. Patent #6,135,515. Other U.S. and Foreign Patents Pending
Listings: UL R13976 and BP7041

UNMATCHED ELECTRONIC PERFORMANCE



The SAM features **auto-switching dual voltage** operation. You apply either 12 VDC or 24 VDC to the power input wires and **the unit configures itself** to draw the correct amount of current. You'll never find yourself with the wrong voltage model and you can change system voltage after installation. The low power consumption of four watts prevents the concern of heat build-up and keeps power supply cost low while permitting

long wire runs. The SAM includes **internal electronic noise suppression** which makes it compatible with all brands of access control equipment and **optionally, you can include Senstat lock status sensing** which provides an SPDT dry contact output when the lock is secure. This provides better reporting to your alarm or access system than traditional door position sensing which says nothing about whether the lock is secure.

ORDERING INFORMATION

Standard SAM or SAMSC with lock status sensing.

Part Number	Description	Price
SAM	Shear Aligning Mag Dual Voltage	\$700.00
SAM SC	Shear Aligning Mag Dual Voltage Form-C Senstat	\$760.00
SMLS	Housing Surface Mount Lock / Shear	\$125.00
SMSS	Housing Surface Mount Strike / Shear	\$125.00



ABOVE: INSTALLED VIEW OF STRIKE IN TOP DOOR EDGE
 BELOW: INSTALLED VIEW OF MAGNET IN FRAME

